

## Remote- Multiple reset device

**Remote burner resetting for Satronic automatic burner controls for retro-fitting**

### INTRODUCTION

Quite often heating installations are located in inaccessible or poorly accessible places. If the burner develops a malfunction, then it is very difficult to reset it.

The solution: Remote resetting by means of FR 870 or MR 880

The remote reset device FR 870 or multiple reset device MR 880 can be retro-fitted to the following Satronic automatic burner controls:

Automatic oil burner controls	Series TF 800 TTO 872 TTO 876
Automatic gas burner controls	Series MMD Series TFI 800 Series MMI and MMG (as from manufacturing no. 704...)

The housing of the remote reset device is mounted on the automatic control like the pushbutton extension at the reset pushbutton, and the connection cable is connected according to the corresponding instructions.

### TYPES AVAILABLE

FR 870	Remote resetting of one burner with a Satronic automatic burner control.
MR 880	Remote resetting of several burners with Satronic automatic burner controls from one and the same remote reset pushbutton. When the reset pushbutton is actuated, only the burners manifesting a malfunction are reset, those burners working normally continue to operate without any interruption during this process.

### CONSTRUCTIONAL FEATURES

Built into a plastic housing is a lifting solenoid which is operated by direct current.

The current rectifying and a thermal overload protection are located on a printed circuit board and also accommodated in the housing.

The connection to the mains power supply is through a 20 cm long, 3-core cable which is tension-relieved.

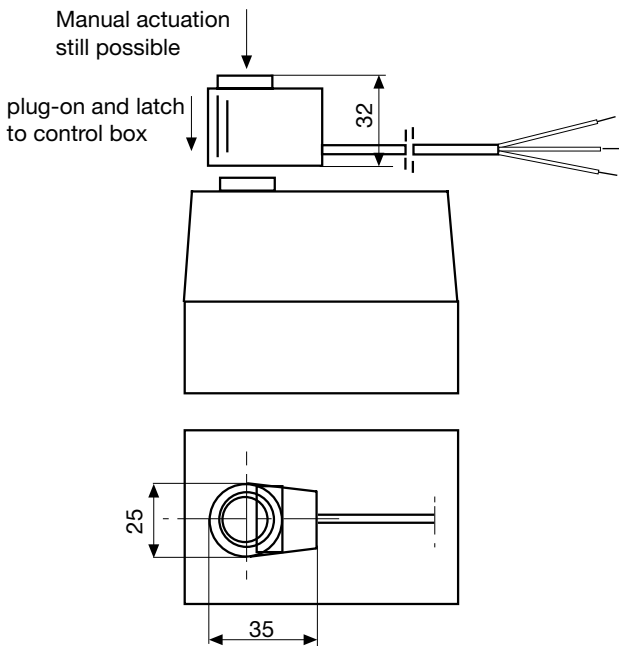


### TECHNICAL DATA

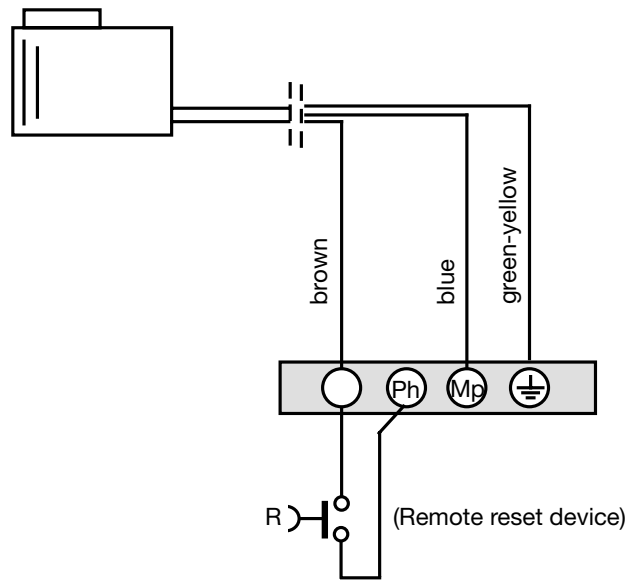
Operating voltage	220 / 240 V (-15... +10%) 50 Hz (40 - 60 Hz)
Current demand	Maximum 300 mA
Waiting time between two actuations	approx. 10 sec
Weight	60 g
Mounting position	As required

The remote reset pushbutton (R) must be installed in such a manner, that the corresponding burner can be seen from the actuating position.

### DIMENSIONAL DRAWING

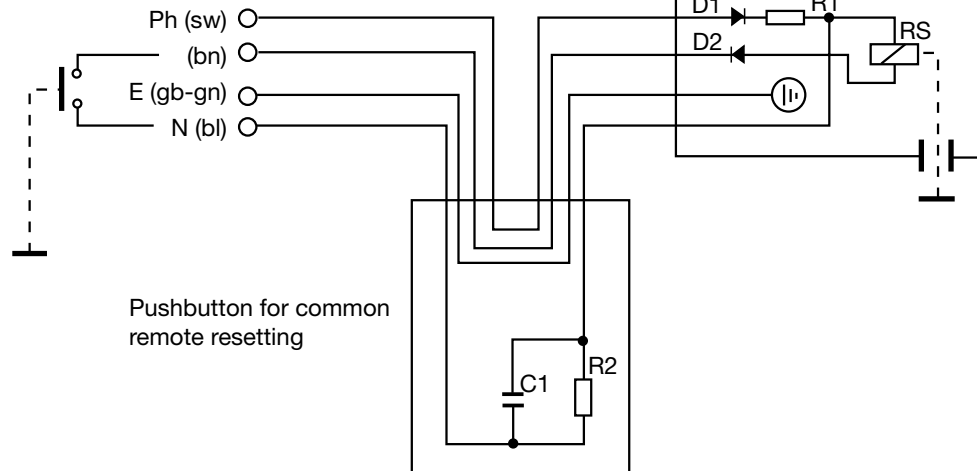


### CONNECTION DIAGRAM FR 870



### SCHEMATIC DIAGRAM MR 880

Alarm output automatic burner control (e.g. terminal 7).



### ORDERING INFORMATION

ITEM	DESIGNATION	ITEM NO.
Remote reset device	FR 870	70700
Multiple remote reset device	MR 880	70710

The above ordering information refers to the standard version. Spezial versions are also included in our product range.

Specifications subject to change without notice.

**FR 870 / MR 880**

**satronic**  
A Honeywell Company

Satronic AG  
Brüelstrasse 7  
Postfach 324  
CH-8157 Dielsdorf