

Pressure Control

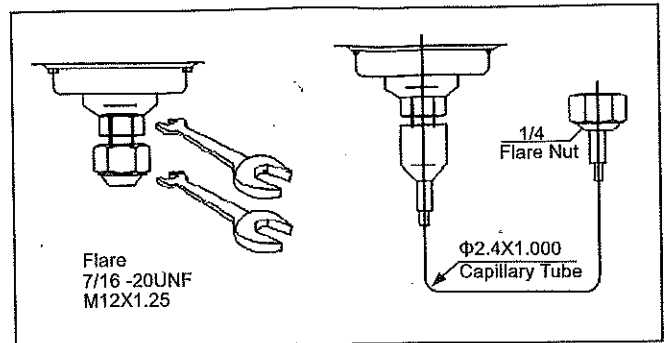
General Description

- For use with CFC/HCFC/HFC refrigerant, air, liquid and other non-corrosive media. (Fluid temperature allowance -10°C to 100°C)
- SPDT (Single Pole Double Throw) contact to ensure reliable conversion.
- Micro-switch ensures reliable switching.
- Mounting bracket supplied as standard.
- Various connections available.
- Several models are available with drip-proof enclosure or explosion-proof enclosure for special applications

ELECTRICAL FUNCTION

Rated Voltage(V) \ Rated Amps(A)		125V	250V	24V
		A.C.	A.C.	D.C.
Non-Inductive Current		20A	10A	10A
Inductive Current	Full load Current	15A	8A	8A
	Ins. Current	72A		64A

Press. Connections



Standard

Available on request

Notice: Thread connection to use two wrenches to prevent damage to control weld joints.
Can be directly with the controller back four M4 screw installed in the unit;
The multi-purpose: Panels can also be install.

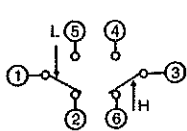
Specifications

Model	Press. Side	Range (bar)		Differential (bar)		Factory Setting (bar)		Max. Bellows Press. (bar)
		Min.	Max.	Min.	Max.	OFF	ON	
HLP830	Low Side	-0.5	6	0.6	4	3	2	16.5
	High Side	8	30	Fixed 3 to 5		20	15	33
HLP830HM	Low Side	-0.5	6	0.6	4	3	2	16.5
	High Side	8	30	Duplicate voltage disparity ≤ 5		20	Manual Reset	33
HLP830HLM	Low Side	-0.5	6	Duplicate voltage disparity ≤ 1		3	Manual Reset	16.5
	High Side	8	30	Duplicate voltage disparity ≤ 5		20	Manual Reset	33

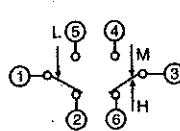
NOTE: IF MODEL + E MEANING IS ENGLISH SYSTEM CONNECTION.
IF MODEL + S MEANING IS CAPILLARY TUBE.

Contact Function

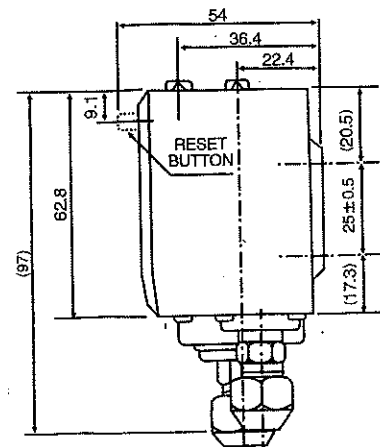
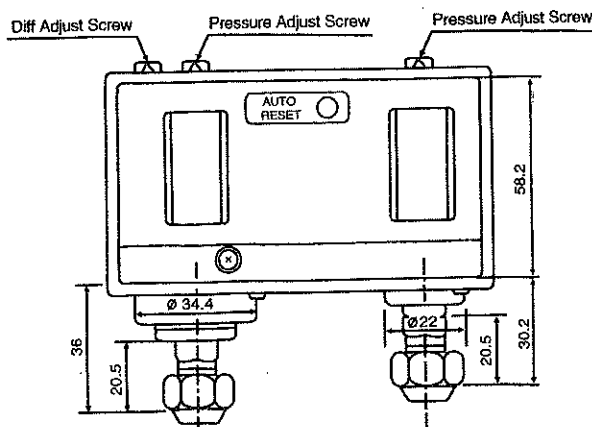
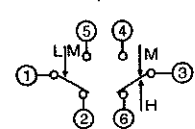
• HLP830



• HLP830HM



• HLP830HLM



Pressure Control

General Description

- For use with CFC/HCFC/HFC refrigerant, air, liquid and other non-corrosive media. (Fluid temperature allowance -10°C to 100°C)
- SPDT (Single Pole Double Throw) contact to ensure reliable conversion.
- Micro-switch ensures reliable switching.
- Mounting bracket supplied as standard.
- Various connections available.
- Several models are available with drip-proof enclosure or explosion-proof enclosure for special applications

ELECTRICAL FUNCTION

Rated Voltage(V)		Rated Amps(A)		
		125V A.C.	250V A.C.	24V D.C.
Non-Inductive Current		20A	10A	10A
Inductive Current	Full load Current	15A	8A	8A
	Ins. Current	72A		64A

Contact Function

↑ Pressure rise

1	Common Terminal
3	Close on, Pressure Decrease
5	Close on, Pressure Increase

Pressure Connectors

Flare 7/16 -20UNF M12X1.25

Standard

1/4 Flare Nut

Φ2.4X1.000 Capillary Tube

Available on request

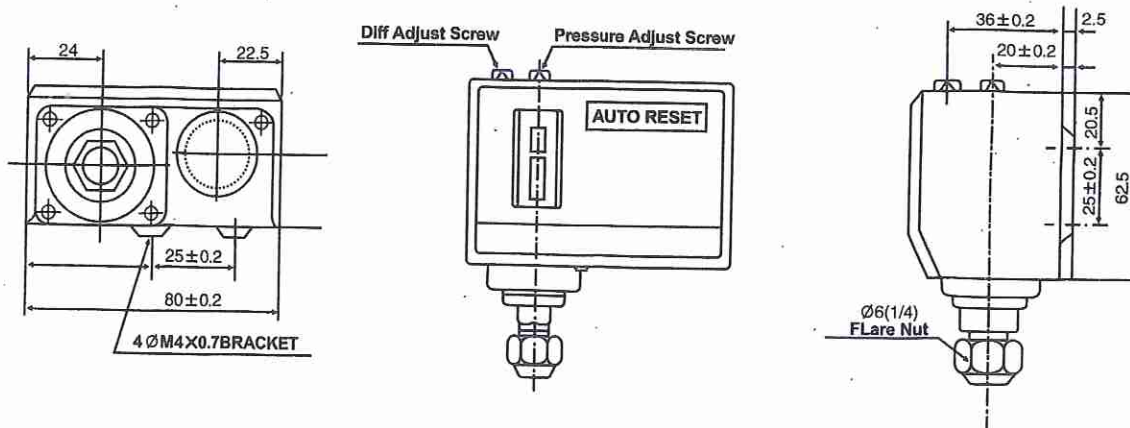
Mounting Bracket

Notice: Thread connection to use two wrenches to prevent damage to control weld joints.
 Can be directly with the controller back four M4 screw installed in the unit;
 The multi-purpose: Panels can also be install.

COMMON SPECIFICATIONS

Model No.	Range (bar)		Differential (bar)		Factory Setting (bar)		Max. Bellows Press. (bar)
	Min.	Max.	Min.	Max.	OFF	ON	
HLP502	-0.5	2	0.2	0.7	1	0.5	16.5
HLP503	-0.5	3	0.35	1.5	2	1	16.5
HLP506	-0.5	6	0.6	4	3	2	16.5
HLP506M	-0.5	6	Duplicate voltage disparity ≤1		3	Manual Reset	16.5
HLP110	1	10	1	3	6	5	16.5
HLP516	5	16	2	5	10	8	33
HLP520	5	20	2	5	16	14	33
HLP530D	5	30	3	10	20	15	33
HLP530	8	30	Fixed 3 to 5		20	15~17	33
HLP530M	8	30	Duplicate voltage disparity ≤ 5		20	Manual Reset	33

NOTE: IF MODEL + E MEANING IS ENGLISH SYSTEM CONNECTION.
 IF MODEL + S MEANING IS CAPILLARY TUBE.



Appearance Drawing